

**APY • FAPY**  
LongLife DC Tachometers

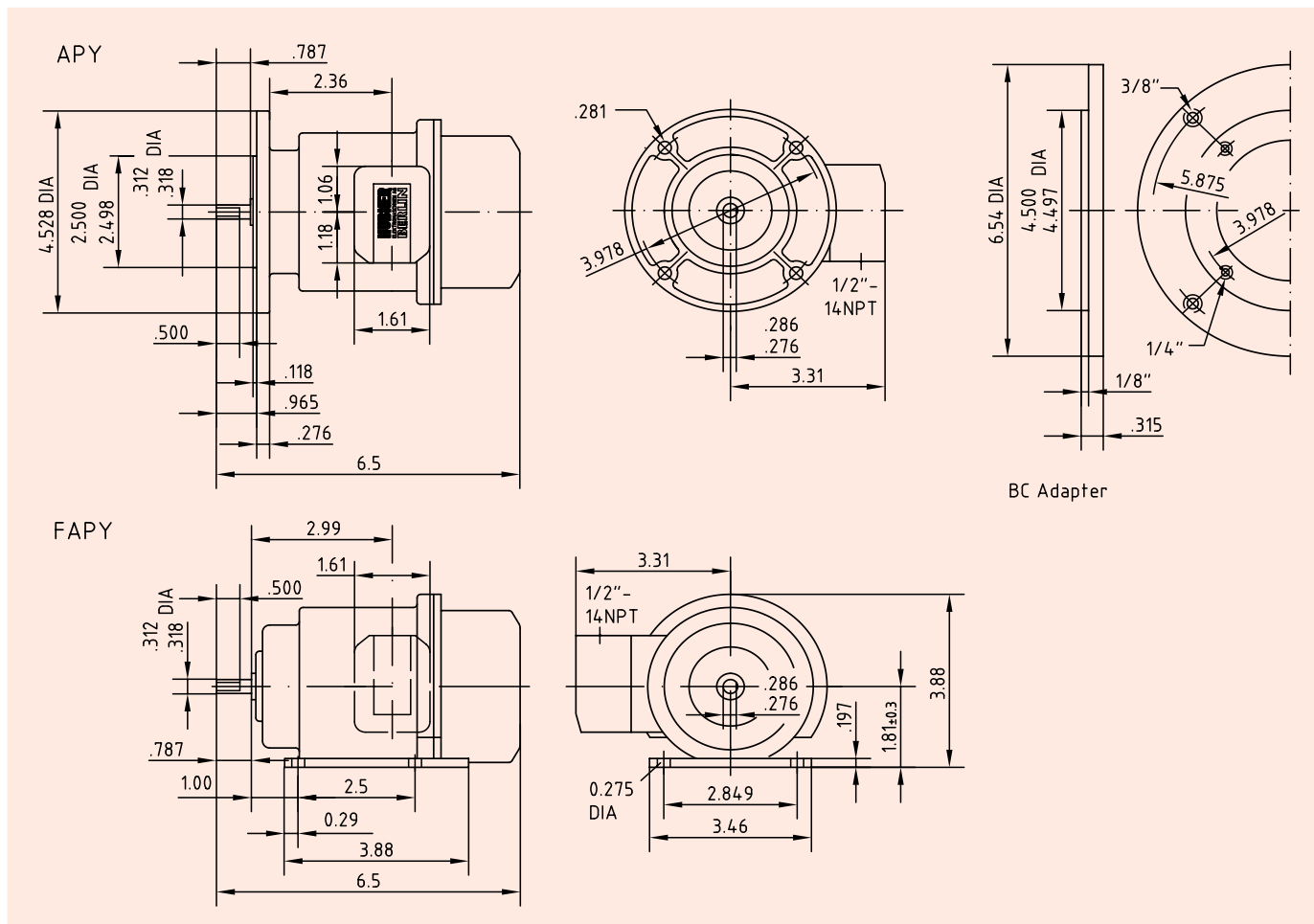


## APY • FAPY TACHOMETERS

LongLife DC Tachometers in industrial NEMA 12 housings are available with flange or foot mount for direct replacement of "PY" or "BC" style tachometers. These tachometers are CSA / NRTL / C approved. 50 or 100 V DC / krpm outputs are available with regulation of 1 % or .1 % for precise speed control in all applications.

HÜBNER, Europe's leading technological manufacturer of tachometers, presents the LongLife Technology, resulting in the best tachometers available in the world. A patented design and process imbeds a silver track in the commutator. The result is high precision output, low ripple and a brush/commutator life that exceeds that of the precision ball-bearings ( $10^9$  revolutions).

Type	no-load voltage 1 000 rpm	max. load current	max. speed rpm	Enclosure	Temperature range
<b>APY 50</b>	50 V	80 mA	10 000	IP 55	-30 °C ... +130 °C
<b>APY 100</b>	100 V	40 mA	6 000		
<b>FAPY 50</b>	50 V	80 mA	10 000		
<b>FAPY 100</b>	100 V	40 mA	6 000		



O4.A1